



**SPIERINGS
KRAMEN**

Mark: **SPIERINGS**

Type: **SK488-AT4**

Crane identification

Serial number:

Year of construction: _____

Crane group : 3 as per NEN 2018
 Loadspectrum : 2 as per NEN 2018
 Classification : A as per NEN 2018
 Stability : as per NEN 2022

Identafication-
number

93 tm

Max. load

8,0 tonne

Max. radius
with max. load

12,76 m

Max. capacity

102 tm

Max. jib lenght

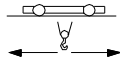
40m

Speeds

Jib horizontal / jib 30° luffed



m/min	kg
18	8000
27	4000
40	2000
75	0



0 - 70 m/min



0-0,9 rpm

All motions with hydraulic proportinal controls
 Luffing the jib 30° can be controlled from crane cab or via remote control

Driving with erected tower and jib, only with the jib horizontal and positioned over the front carriage, platform locked to the carrier and the outriggers fully extended (max. inclination 2°)
 Rated lifting capacity is net capacity

Crane equipped with full counterweight: 8700 kg

360° continuous slewing, with outriggers out and down

Operation allowed up to a wind force :

Outrigger position : 7,95 x 7,66 m

7 on the Beaufort scale (wind speed 17m/sec)

Outrigger position : 7,95 x 5,72 m

6 on the Beaufort scale (wind speed 14m/sec)

Sail area of the load max. 1,0 m²/tonne at a windforce of 7 on the Beaufortscale.

Operating temperature range from -15° to 40° C.

In all cases 2 parts of line

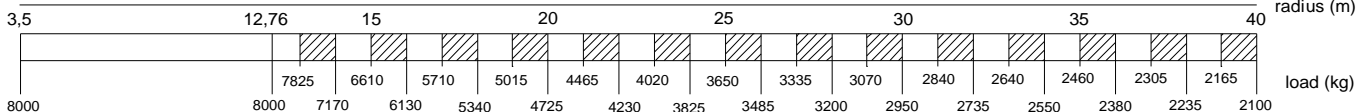
Max. line pull force 4000 kg

The crane should be folded in at a windforce >9 (21m/sec) or when not in use for a longer period

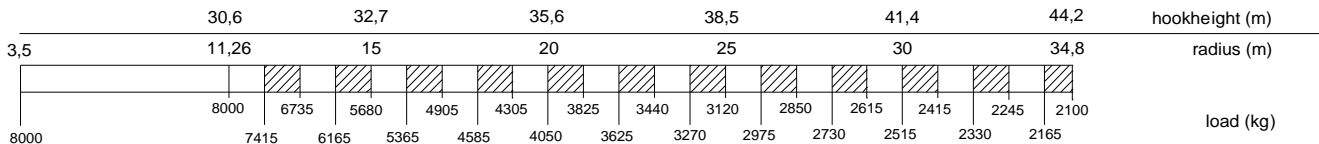
LIFTING CHART Outrigger spread 6,90 m x 6,84 m (up to wind force 7 on the beaufort scale)

Jib horizontal

Hookheight 25 m (height under jib 26,8 m)



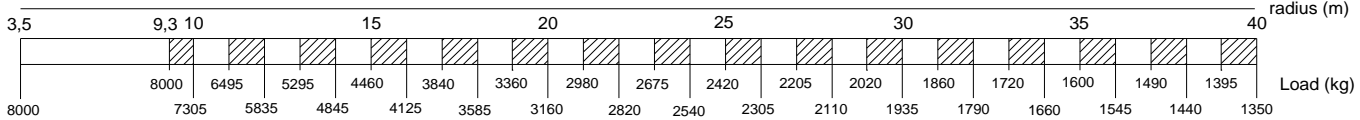
Jib 30° luffed



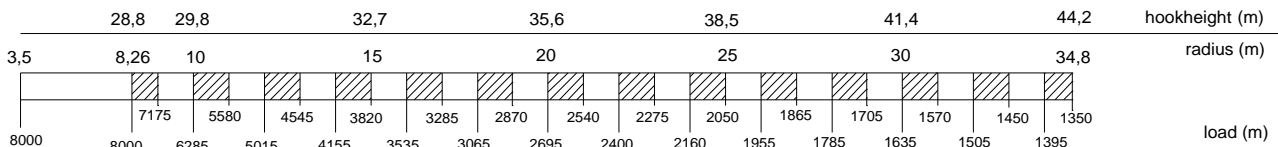
LIFTING CHART Outrigger spread 6,90 m x 5,15 m (up to wind force 6 on the beaufort scale)

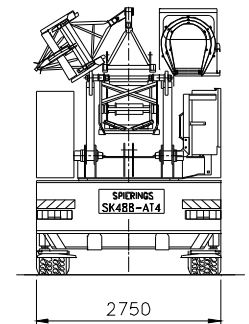
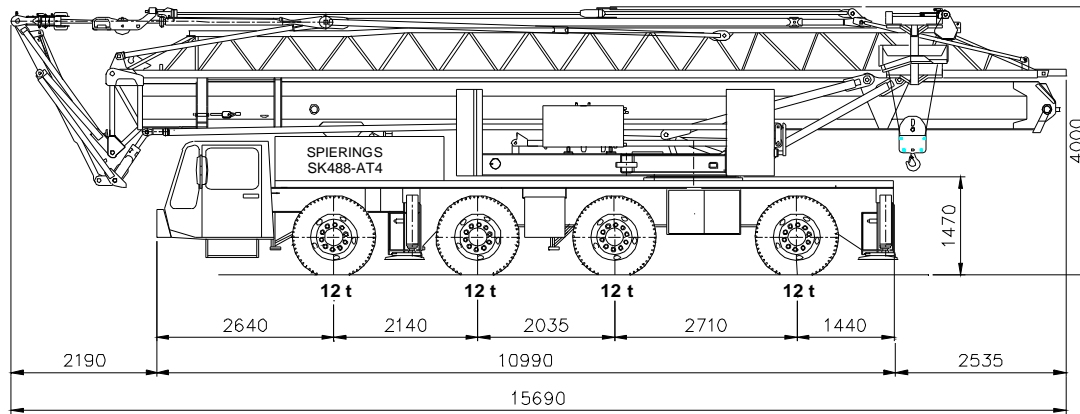
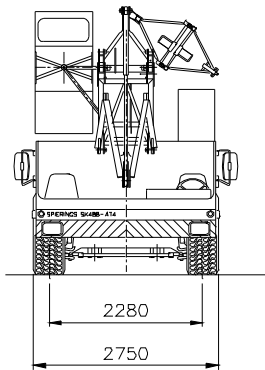
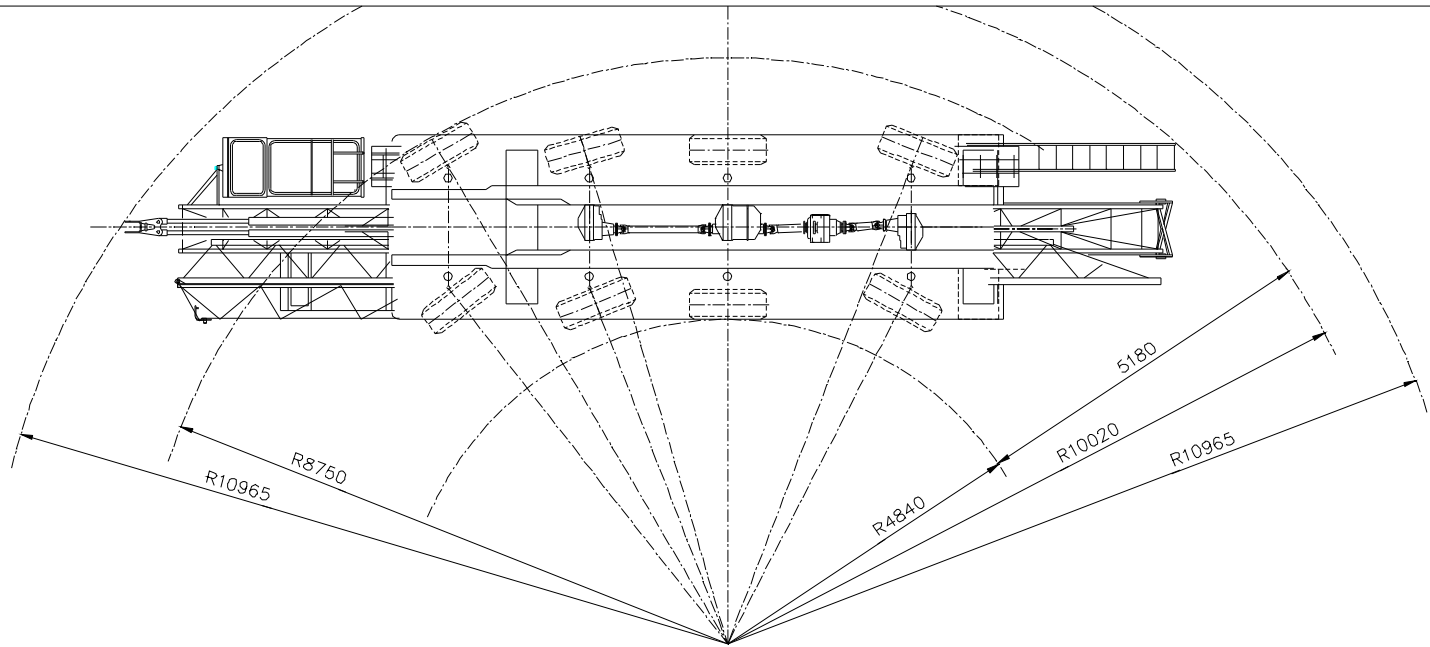
Jib horizontal

haakhoogte 25 m (hoogte onder de giek 26,8m)



Jib 30° luffed





SPIERINGS HYDRAULIC FOLDING CRANE

SK 488 - AT4

Total weight: 4800 kg

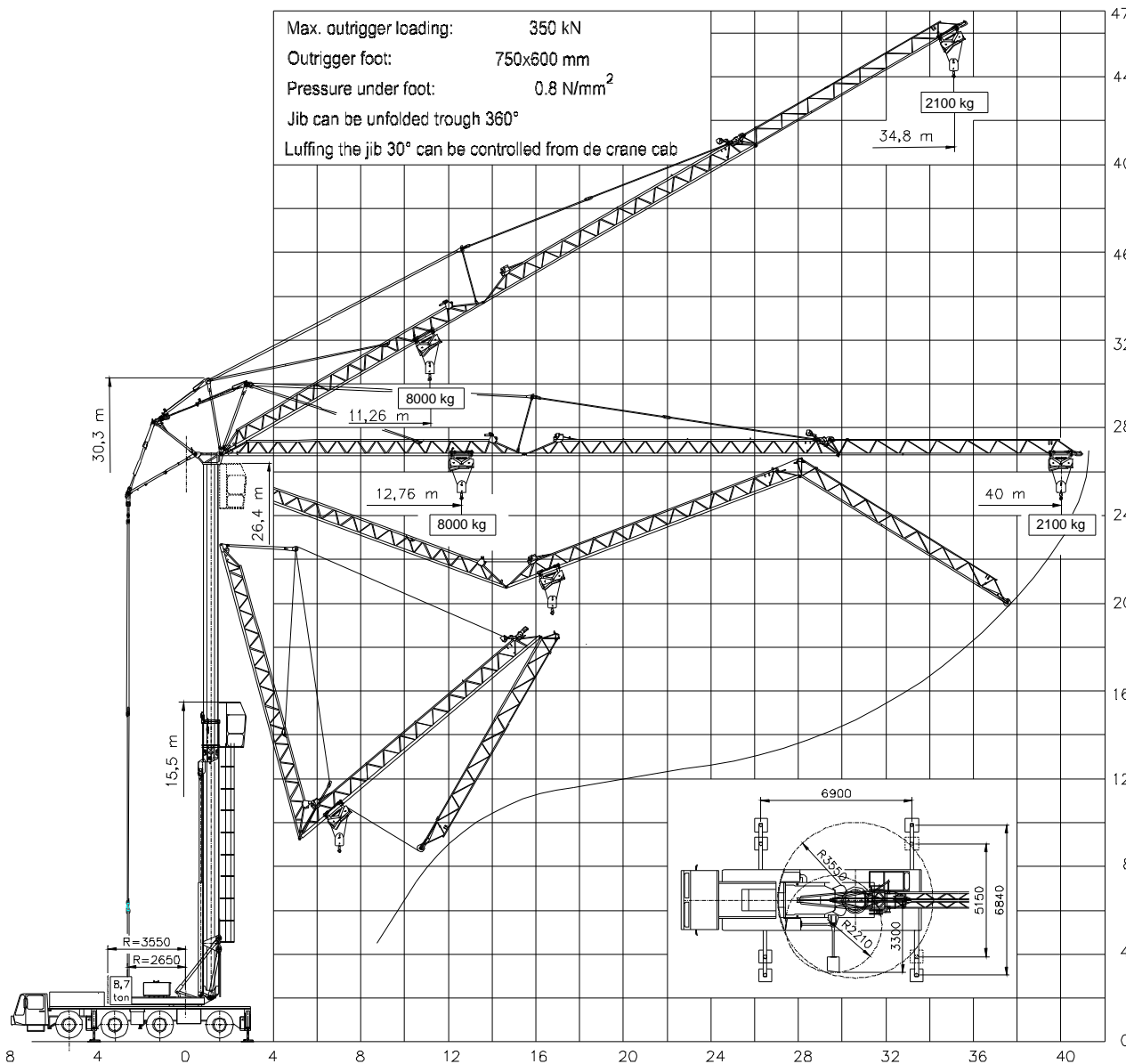
SPIERINGS
KRANEN bv
 Merwedestraat 15
 5347 KZ Oss NL
 Tel. 0412-626964
 Fax 0412-645299

Max. outrigger loading: 350 kN
 Outrigger foot: 750x600 mm
 Pressure under foot: 0.8 N/mm²
 Jib can be unfolded trough 360°
 Luffing the jib 30° can be controlled from de crane cab

SPIERINGS

HYDRAULIC FOLDING CRANE

SK 488 - AT4

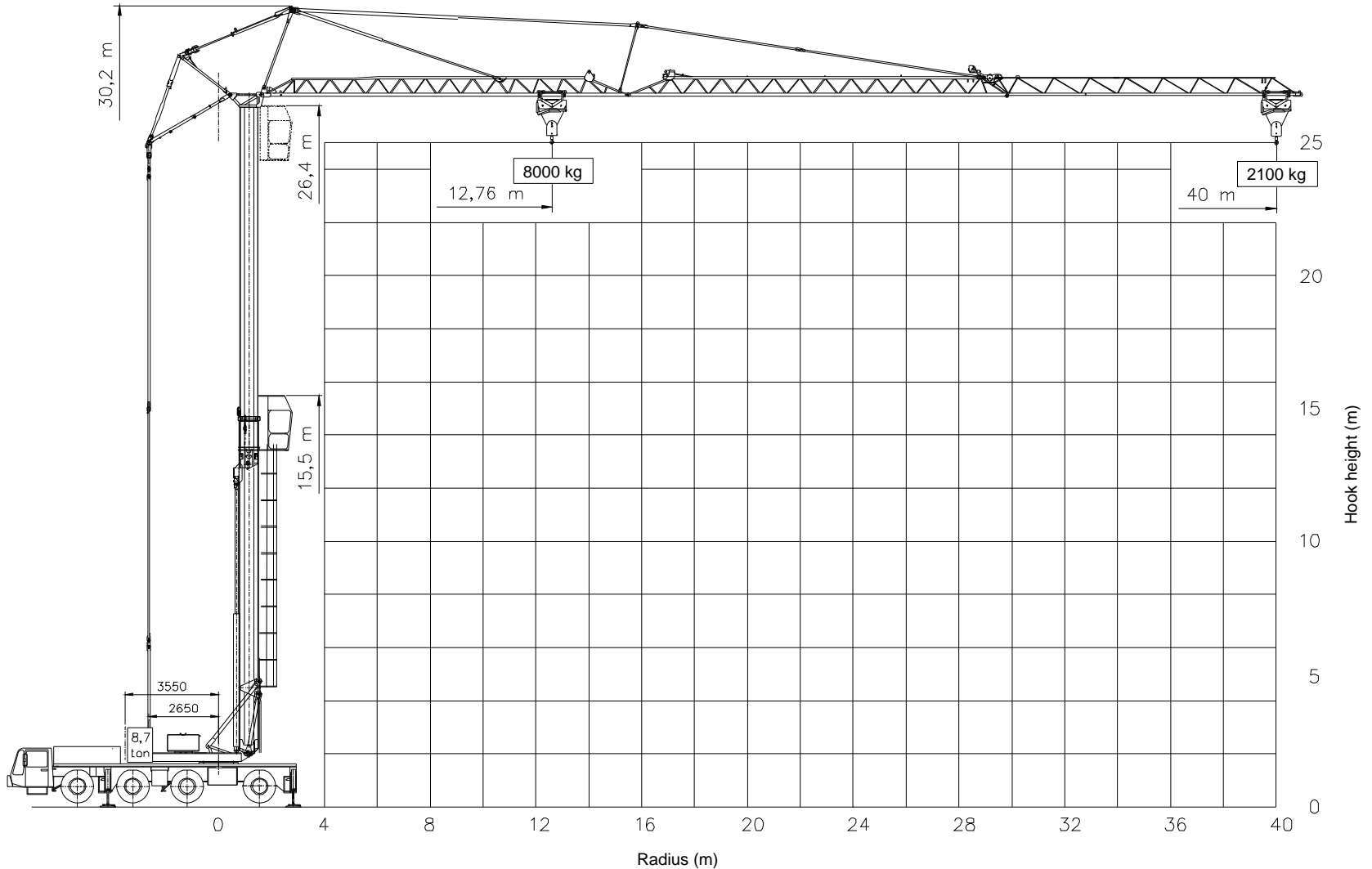


Merwedestraat 15
 5347 KZ Oss NL
 Tel. (31) 412 626954
 Fax (31) 412 645299



SPIERINGS HYDRAULIC FOLDING CRANE

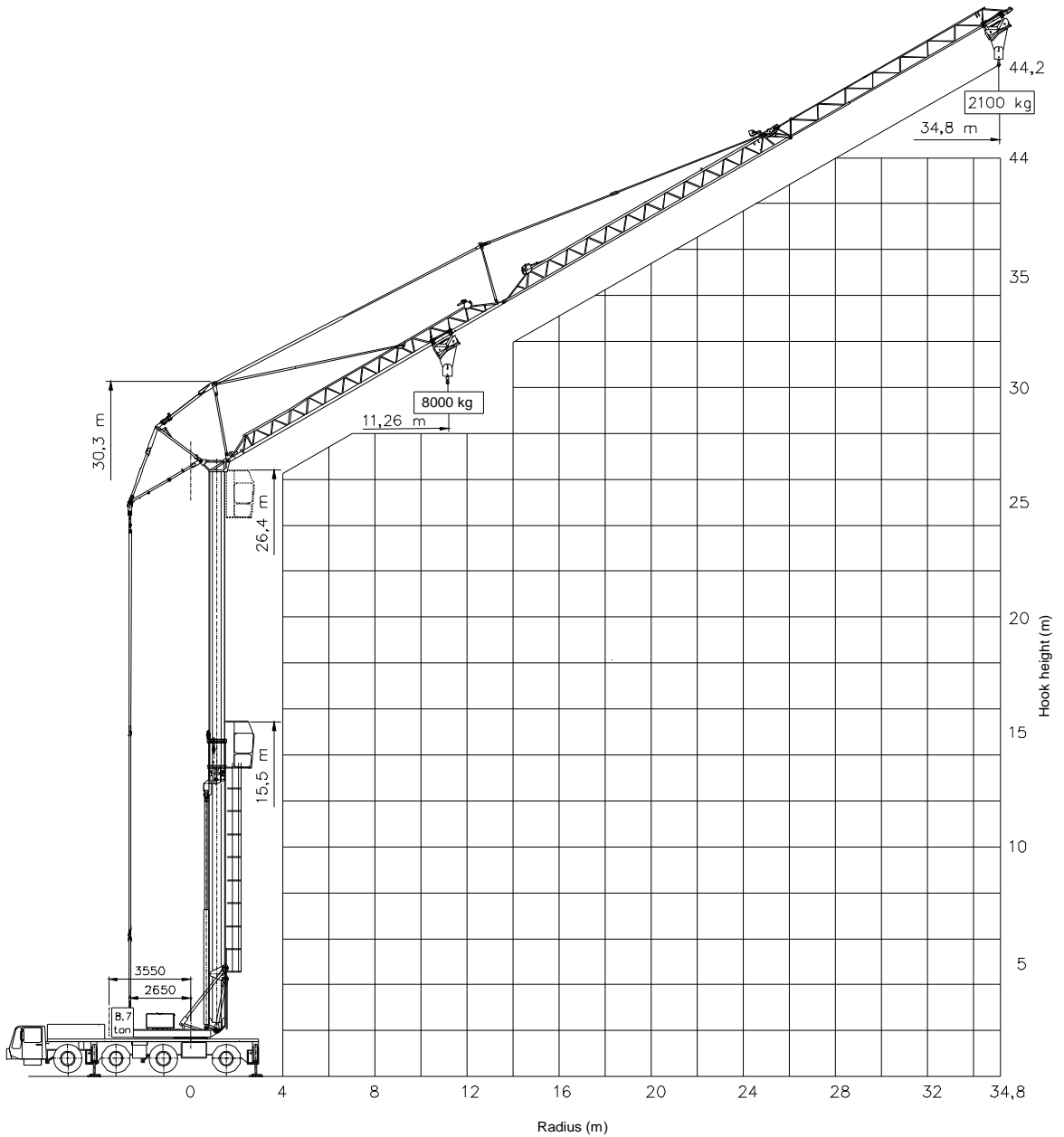
SK 488 - AT4

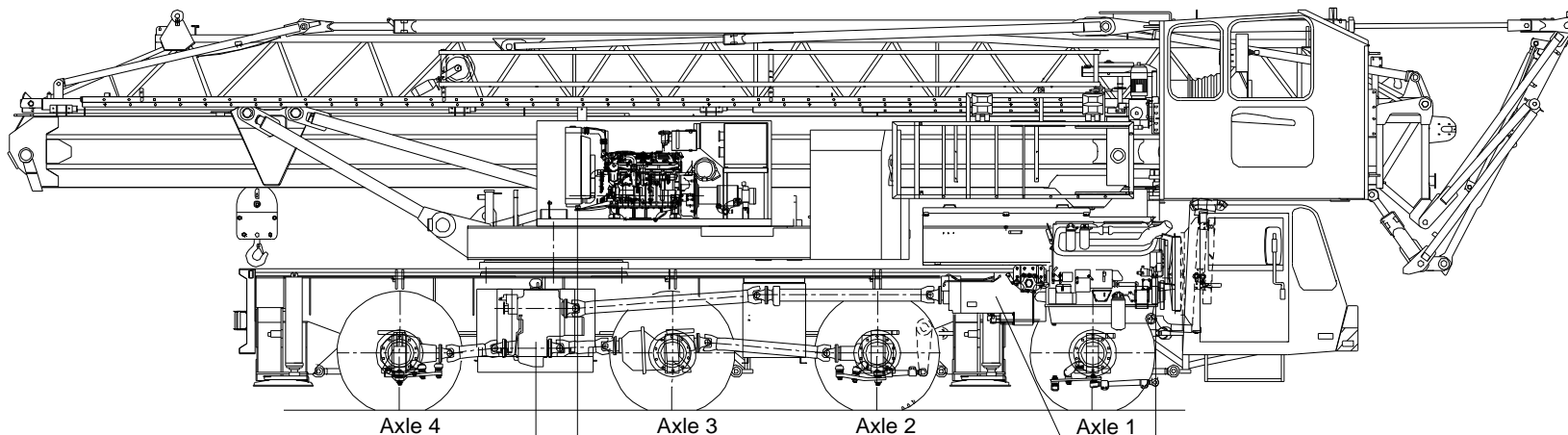




SPIERINGS HYDRAULIC FOLDING CRANE

SK 488 - AT4





Transferbox:
 STEYR VG2001/396
 Road gear $i = 0,89$
 Off road gear $i = 1,54$

Crane diesel engine
 DETROIT VM D706 IE2
 Power: 96 kW (2600 rpm)
 Torque: 480 Nm (1300 rpm)

Gearbox:
 ZF 16S151
 Manually operated
 + air power assistance
 + dry plate clutch

Carrier diesel engine:
 DAF XE 280 C (EURO 3)
 Power: 280 kW (1900 rpm)
 Torque: 1750 Nm (1500 rpm)

Axle 1 : Steer axle
 Axle 2 : Steer drive axle (end reduction $i=6,57$)
 Axle 3 : Drive axle, not steering (end reduction $i=6,57$)
 Axle 4 : Steer drive axle (end reduction $i=6,57$)

Tyres : 445/75 R22,5
 Suspension: hydro-pneumatic on all axles; stroke cyl. : 247 mm
 Max. speed carrier : 85 km/h
 Min. speed carrier (engine at 1000 rpm) : 1,6 km/h
 Overall weight : 48.000 kg.

Drive train Spierings Folding Crane SK488-AT4