


GLASLIFT[®] 550 Terrain

Multilifter

 Made in Denmark
Pat. pend.



**Extreme
terrain ability**



**The fastest
and most flexible
outdoor multi lifter**

The most cost-effective second generation Multilifter.

- 100% parallelity in lifting and in the top boom
- Extremely long autonomy of up to 16 hours
- Extra surveillance of horizontal and lateral movements. (Extra security)
- Very powerful hydrostatic drive

Wireless remote control as an option.



Other unique features

Strongest power pack



The GlasLift[®] 550 comes with a powerful 490Ah battery as a standard. A premium lithium battery is an option that gives you even more capacity, this gives you the ability to charge 100% in only 4-5 hours.

Extreme terrain ability



With the front twin-wheels and the powerful hydraulic drive, the GlasLift[®] 550 can operate in all kinds of terrains.

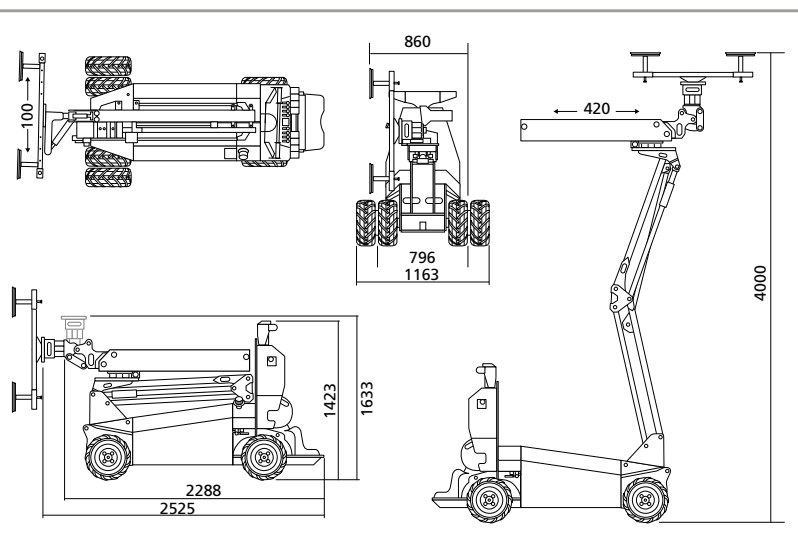
Narrow passages



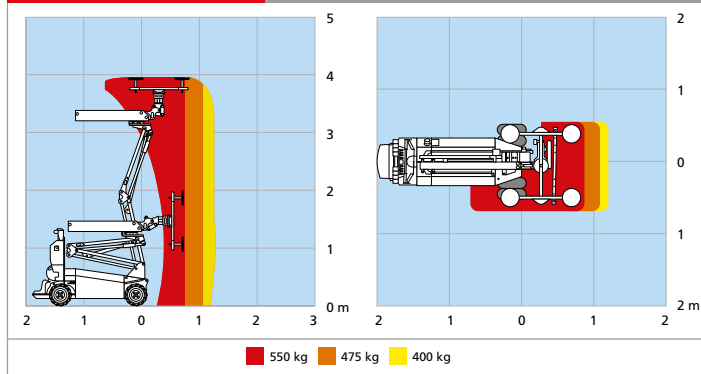
The GlasLift[®] 550 can easily pass through door holes and hallways as narrow as 800 mm and 1425 mm in height with the full load on the side.

Technical data

| Description | Value |
|-----------------------|--------------------|
| Loading capacity | 550 kg |
| Own weight | 1450 kg |
| Counter Weights | 8x25 kg |
| Machine min. width | 796 mm |
| Machine min. length | 2288 mm |
| Machine min. height | 1423 mm |
| Autonomy | Up to 16 hours |
| Front wheels | Filled rubber foam |
| Rear wheels | Filled rubber foam |
| Charging current | 220 or 110 V |
| Battery specs. | 490Ah (2 x 12V) |
| Charging std. battery | 10% - 100% 5 hours |
| Charging std. battery | 25% - 70% 2 hours |



Great capacity

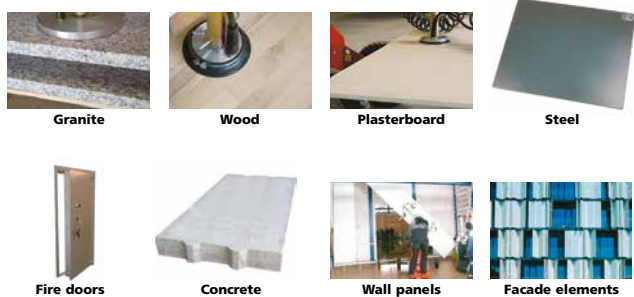


Unique pick-up functionality

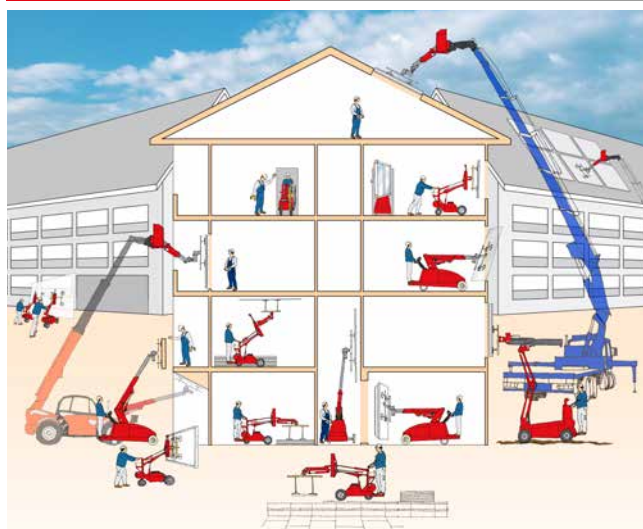


The GlasLift[®] 550 multilifter has the unique functionality of picking up elements from floor level, just like that.

Materials



We sell solutions - contact us for free consultancy!



GlasLift[®] 550 Terrain complies with the requirements of Machinery Directive 2006/42/EC.

Please contact HH-Intellitech to book a demonstration.

Visit www.hh-intellitech.dk and see all our solutions

Production and sales:

HH-Intellitech ApS

Nykoebing Landevej 21
4200 Slagelse
Denmark

Phone +45 58 26 70 17
E-mail: info@hh-intellitech.dk
www.hh-intellitech.dk